

Snap-on

new product

April 9, 2001



ORDER: GOFER1A

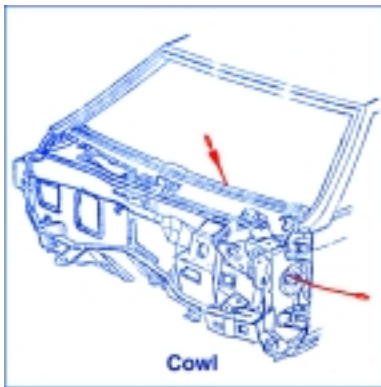
2.5 ft (762mm)
Overall Length

Fits through
opening as
small as 1mm

Save time when installing, wires,
stereo systems, alarm systems, cellular
phones, vacuum hoses, and air shock
supply lines on:

GOFER1A
Wire Installation Tool

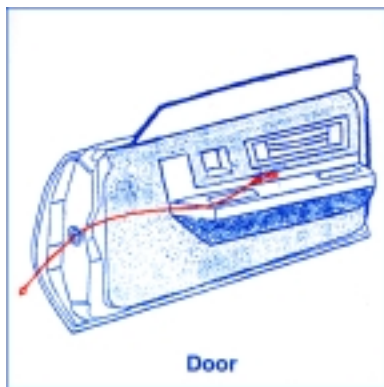
Autos
trucks
motorcycles
aircraft
etc



Cowl

**Just some
of the
applications for
GOFER1A**

- Conical shaped collet provides secure wire retention when threading wire
- Extruded from tempered polypropylene for maximum flexibility & rigidity
- non-conductive



Door



Fire Wall

Do not coil GOFER1A for storage



WARNING



- **Wear safety goggles (user & bystanders).**
- **Disconnect vehicle power supply.**

© 2001 Snap-on Tools Company Kenosha, WI
Printed in U.S.A.
#19763

Copying permitted for Snap-on customers only.
Sales Communications Department

Snap-on® is a registered trademark of Snap-on Technologies, Inc.

Catalog E15
500