

Diagnostic Mobile Workcenter



Instructions

Contact Information (North America)

Website

Snap-on Diagnostics and Information

- <http://diagnostics.snapon.com>

Manuals / Technical Documentation (all diagnostic tools) - The information in this document may be periodically revised to ensure the latest information is included. Download the latest version of this document and diagnostic tool user manuals at:

- <http://diagnostics.snapon.com/usermanuals>

Customer Care and Technical Assistance - Phone / E- mail

1-800-424-7226 / diagnostics_support@snapon.com

Disclaimer of Warranties and Limitation of Liabilities

All pictures and illustrations shown are for reference purposes only. All information, specifications and illustrations in this document are based on the latest information available at the time of printing and are subject to change without notice. While the authors have taken due care in the preparation of this manual, nothing contained herein:

- Modifies or alters in any way the standard terms and conditions of the purchase, under the terms of which the equipment to which this document relates was acquired.
- Increases in any way the liability to the customer or to third parties.

Snap-on® reserves the right to make changes at any time without notice.

IMPORTANT:

Before assembling, operating or maintaining this product, please read this document and the diagnostic tool user and Important Safety Information manuals carefully paying extra attention to the safety warnings and precautions.

Patent Information

For a listing of Snap-on products that are protected by patents in the United States and elsewhere, visit: <https://patents.snapon.com>

Copyright Information

© 2021 Snap-on Incorporated. All rights reserved.

Important Safety Instructions

READ, UNDERSTAND and FOLLOW ALL SAFETY INFORMATION located on the safety labels affixed to the Diagnostic Mobile Workcenter.

Read All Instructions Before Assembly and Use

For your own safety, the safety of others, and to prevent damage to the product and vehicles upon which it is used, it is important that all instructions and safety messages in this manual be read and understood by all persons operating, or coming into contact with the product, before operating. We suggest you store a copy of this manual near the product in sight of the operator.

This product is intended for use by properly trained and skilled professional automotive technicians. The safety messages presented throughout this manual are reminders to the operator to exercise extreme care when using this product.

All information, specifications and illustrations in this manual are based on the latest information available at the time of printing and are subject to change without notice. Snap-on Inc. reserves the right to make changes at any time without notice.

Safety Signal Words

All safety messages contain a safety signal word that indicates the level of the hazard. An icon, when present, gives a graphical description of the hazard. Safety Signal words are:

DANGER

Indicates an imminently hazardous situation which, if not avoided, will result in death or serious injury to the operator or to bystanders.

WARNING

Indicates a potentially hazardous situation which, if not avoided, could result in death or serious injury to the operator or to bystanders.

CAUTION

Indicates a potentially hazardous situation which, if not avoided, may result in moderate or minor injury to the operator or to bystanders.

Safety Message Conventions

Safety messages are provided to help prevent personal injury and equipment damage. Safety messages communicate the hazard, hazard avoidance and possible consequences using three different type styles:

- Normal type states the hazard.
- **Bold type states how to avoid the hazard.**
- *Italic type states the possible consequences of not avoiding the hazard.*

An icon, when present, gives a graphical description of the potential hazard.

Safety Messages

WARNING

Risk of Personal Injury

- **Before operating read the following safety information.**
- **Keep children away.**

Improper equipment use can cause personal injury.

WARNING



Risk of Personal Injury and Equipment Damage - Tipping Hazards

- **Do not use on uneven, rough, wet or slippery floors.**
- **Avoid using the unit near heavy moving equipment that could hit the cart and tip it over.**
- **Do not climb, sit or stand on the unit.**
- **Do not lift unit.**
- **Do not move, or roll the unit in a unsafe manner. Only move/roll at a slow controlled pace.**
- **Do not move the unit if the casters are damaged or not working properly. Replace damaged casters before operation.**
- **Do not pull any items (tools, cables, etc.) that are hanging from the unit that could catch or hook something and pull the cart over.**
- **Do not open more than one loaded drawer at a time.**
- **Close and lock drawers before moving.**
- **Apply brakes on locking casters when unit is stationary.**
- **If unit begins to tip, stand clear**
- **Do not open any drawer with swivel caster positioned inward**
- **Do not step in or on drawers**
- **Do not use any open drawer as support or leverage**
- **Do not attach items, tools, machinery, etc to the unit.**
- **Disconnect or unplug all power cord and cable assemblies before moving unit.**

Tipping over of the unit, or the unit striking you can cause personal injury and equipment damage.

⚠ WARNING



Risk of Personal Injury - Tripping Hazards

- Disconnect or unplug all power cords and diagnostic tool cables before moving the unit.
- Shut all drawers when not in use.
- Do not hang items, cables, tools, from the unit that could catch or entangle you or someone else.
- Be aware of your surroundings when the unit's power cable is connected to a receptacle, and when cables are connected between the unit, diagnostic tool and vehicle.
- Be sure that the power cord and any cables attached to your tools, equipment, and other accessories are routed so as not to interfere with walk paths, and will not be tripped over or pulled.
- Ensure all cables are secured and routed in a manner, avoiding excessive slack/looping. Use cable ties as needed.

Tripping over the unit or cables can cause personal injury.

⚠ WARNING



Risk of Electric Shock and Fire.



- Connect the power strip to a single receptacle only, do not overload the MAINS circuit.
- Do not remove the ground connection from the power cord. The power cord must be connected to 110VAC 60hz grounded receptacle.
- Do not expose to fire, open flame, hot objects, cold temperatures, snow, ice, water, fluids, or caustic materials.
- Do not operate with a damaged cord or plug. Replace a damaged cord or plug immediately.
- Do not exceed the 12Amps maximum cumulative load for all devices connected to the power strip.
- Do not connect the power strip to another power strip. The power strip must be connected directly to a receptacle.

Electric shock can cause injury.

⚠ WARNING



Risk of explosion.

- This equipment's components to be mounted at least 460mm (18 inches) or more above the floor.
- Do not expose to flammable liquids or vapors. Flammable liquids or vapors can ignite.
- This unit should not be located in a confined, or recessed area or below floor, garage or grade level

Explosion or flame can cause personal injury.

⚠ CAUTION

Risk of equipment damage.

- Do not attempt to or modify this unit in any manner.
- Do not use near moving vehicles or moving equipment / machinery.
- Do not use or position this unit under a vehicle or vehicle lift.
- Do not use this unit for purposes other than as designed.
- Do not pull on the AC power cable.
- Never use the cord to pull the power cable plug from the AC receptacle. Grasp the plug and pull it to disconnect.
- Protect the power cord from physical or mechanical abuse, such as being twisted, kinked, pinched, closed in a door, or walked upon.
- Before each use, always inspect unit for damage (cables, electrical. components, casters, etc). Replace any worn or damaged components before operating.

Improper equipment use can cause equipment damage.

Instructions

Diagnostic Mobile Workcenter



Figure-1

Contents

- (1) Diagnostic Mobile Workcenter
- (1) Display Bracket
- (1) Display Tilt Bracket
- (1) Wireless Keyboard and Mouse Set
- (1) ZEUS™ Diagnostic Tool and Docking Station
- (1) 27" Touch Screen Display
- (4) M4 X12mm Phillips Head Screws
- (8) M6 X12mm Phillips Head Screws
- (4) M6 Flat Washers
- (4) M4 Split Ring Washers
- (8) M6 Split Ring Washers

Dimensions / Weight

Base Width	25.75 in. (654 mm)
Base Depth	28.75 in. (730 mm)
Height (Display Installed)	65 in. (165.1 cm)
Weight (with ZEUS Diagnostic Tool)	190.21 lbs. (86.278 kg)

Unpacking and Removing from Pallet

1. Carefully remove all straps, cardboard, wrapping, and packaging materials from the Diagnostic Mobile Workcenter.

For shipping purposes the touch screen display is placed in the rear apron area, and all other components including the ZEUS diagnostic tool are placed in the toolbox drawers.

2. Remove the touch screen display from the workcenter and set it aside in a safe place.
3. Remove all components from the toolbox drawers and set them aside in a safe place. Close and latch the toolbox drawers.



WARNING

Risk of Personal Injury

- Do not lift the workcenter off the pallet. Using two people and the ramp provided, carefully roll the workcenter off the pallet.

Lifting heavy objects can cause personal injury.



Figure-2

Adjusting the Tray Height

The worktop tray may be adjusted to your height preference. It is recommended that you adjust the tray height **BEFORE** installing the display. See [Tray Height Adjustment \(optional\)](#) on page 3.

Display Installation

IMPORTANT INFORMATION

- Tighten all screws securely. Do not overtighten threaded fasteners.
- To avoid damage, handle all components with care.
- Protect all surfaces during assembly to avoid scratching or marring the finish.
- Additional display mounting screws may be provided for different display manufacturers. Use the applicable screws for the display provided with your unit.

1. Locate the following parts included with your workcenter:
 - (1) Display Bracket
 - (1) Display Tilt Bracket
 - (1) 27" Touch Screen Display
 - (4) M4 X 12mm Phillips Head Screws (display bracket to display)
 - (8) M6 X 12mm Phillips Head Screws (display bracket to tilt bracket and tilt bracket to main mount)
 - (4) M6 Flat Washers
 - (4) M4 Split Ring Washers
 - (8) M6 Split Ring Washers
2. Set the display down on a safe padded surface.
3. Attach the display bracket to the display using four M4 x 12mm Phillips head screws and M4 split ring washer as shown in *Figure 3*. **NOTE:** Multiple holes are provided in the display bracket for universal installation. Use the applicable mount position for your application.

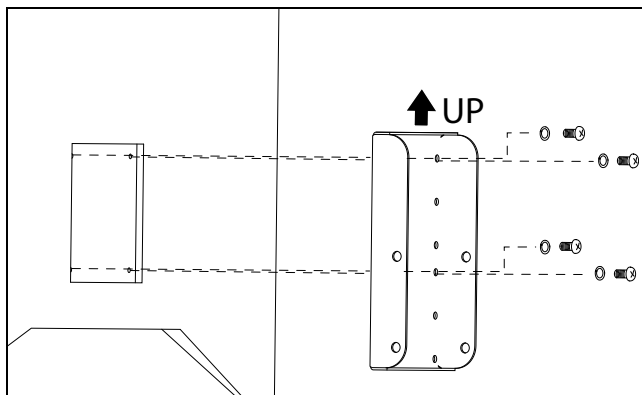


Figure-3

4. Attach the display tilt bracket to the display bracket using four M6 x 12mm Phillips head screws. Install M6 flat washer and M6 split ring washer on each

screw, split washers between screw and flat washer as shown in *Figure 4*.

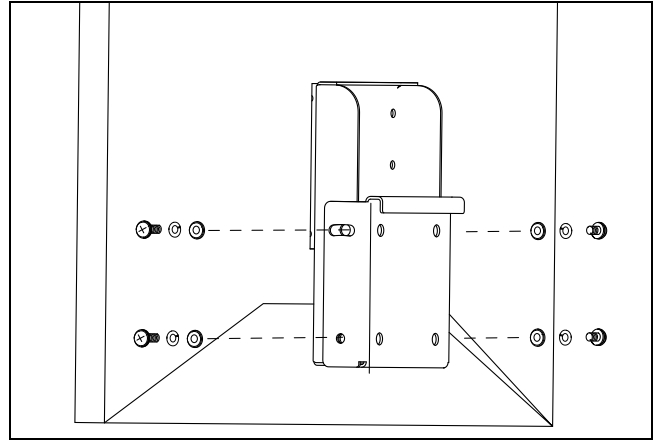


Figure-4

5. Remove the five Phillips head screws, and the rear cover *Figure 5*. For clarity, component cables and power supplies are not shown in the following illustrations.

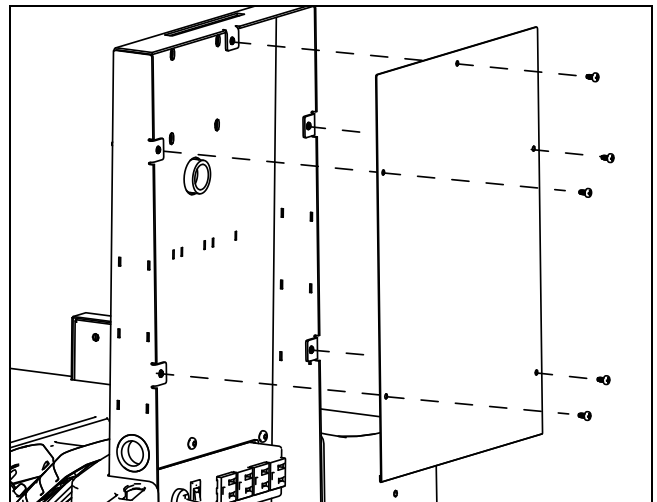


Figure-5

6. Carefully hang the display on the main mount as shown in *Figure 6*.

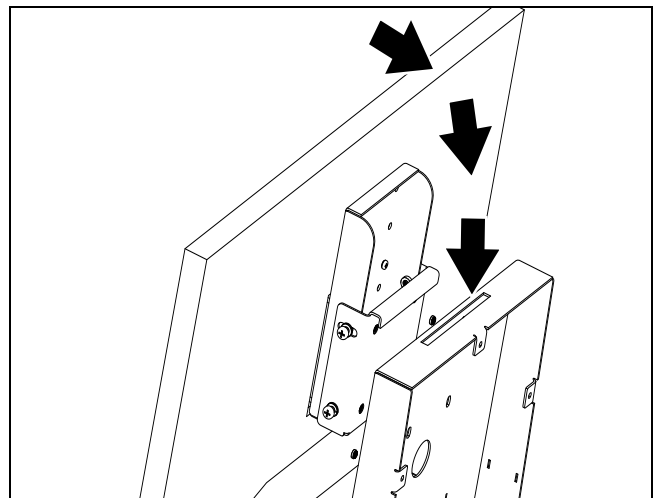


Figure-6

- Attach the display tilt bracket to the main mount using four M6 x 12mm Phillips head screws and M6 split ring washer as shown in *Figure 7*.

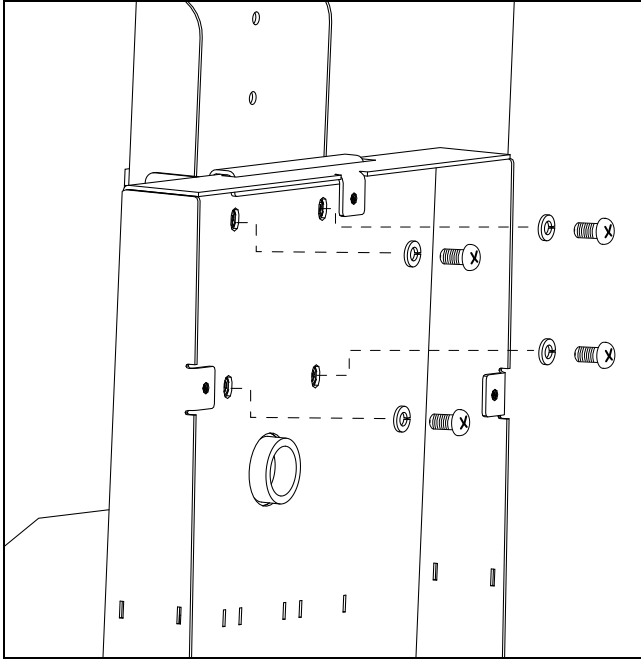


Figure-7

- Install the rear cover using the five Phillips head screws removed prior (*Figure 8*).

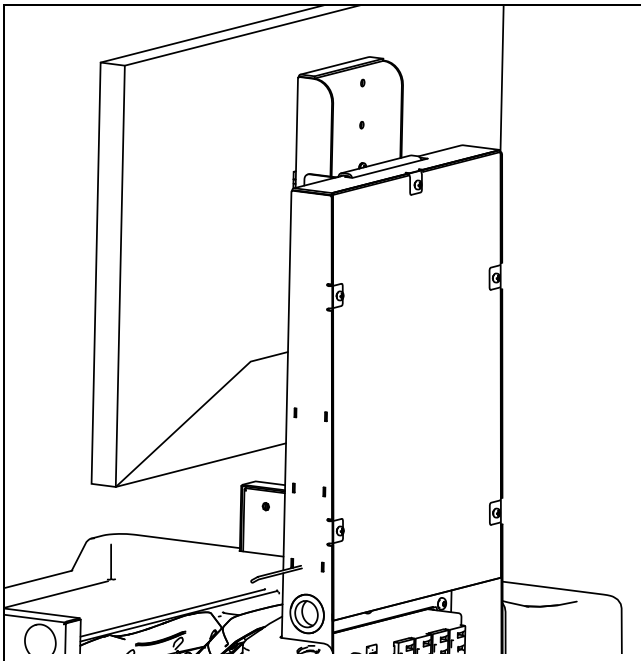


Figure-8

- Connect the Power, HDMI and USB cables to the display (*Figure 9*).

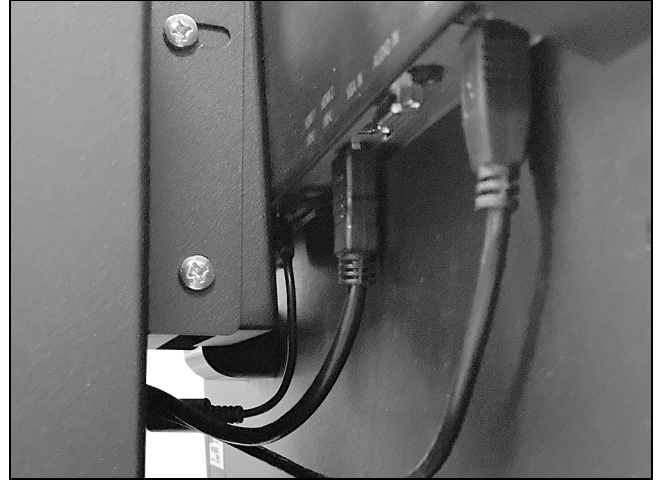


Figure-9

- Connect the display and diagnostic tool AC power cables to the AC power strip.
- Plug the AC power strip into a grounded AC 120V/60Hz power supply outlet, then turn the AC power strip on.

Tray Height Adjustment (optional)

IMPORTANT INFORMATION

- Do not overtighten threaded fasteners.
- To avoid damage, handle all components with care.
- Protect all surfaces during assembly to avoid scratching or marring the finish.

- Remove all loose items from the tray.
- Remove the touch screen display.
- Remove the applicable protective caps from the workcenter side panels (*Figure 10*).
- Using a 4 mm hex wrench, loosen the four tray mounting screws.
- With the assistance of a helper to hold and support the tray, remove the screws and move the tray to the desired height.

6. Install and tighten the screws to secure the tray in the new position.
7. Install all protective caps that were removed.
8. Reinstall the touch screen display as described in [Display Installation](#) on page 2.

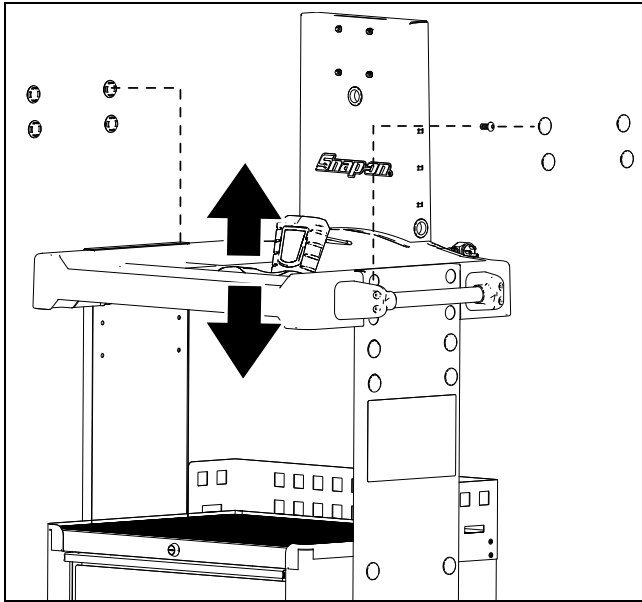


Figure-10

Diagnostic Tool Setup

1. Install the battery pack into the diagnostic tool. Refer to the diagnostic tool *User Manual* for detailed instructions, visit: <http://diagnostics.snapon.com/usermanuals>.
2. Insert the diagnostic tool into the docking station (Figure 11).



Figure-11

3. Remove the keyboard and mouse from their packaging. **Note:** Refer to the installation instructions provided with the keyboard and mouse for detailed operating instructions.

4. Remove the battery insulator strips from both the mouse and keyboard, then turn them both on.
5. Turn the display on, then turn the diagnostic tool on and allow it to complete its boot up process.

Refer to the diagnostic tool *User Manual* for detailed operation instructions.

Adjusting the Display Settings (If Required)

The diagnostic tool display settings are preset from the factory for use with the external display. Adjustment is not required, however if needed use these instructions to reset the display settings.

1. From the Windows® desktop taskbar, select the *Intel® HD Graphic Icon* (Figure 12), then select **Graphic Properties** from the menu.



Figure-12

2. Select **Display** (Figure 13).

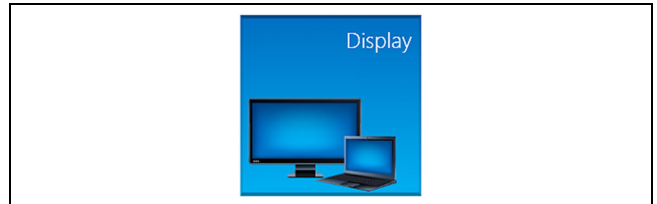


Figure-13

The Display Settings window opens (Figure 14).

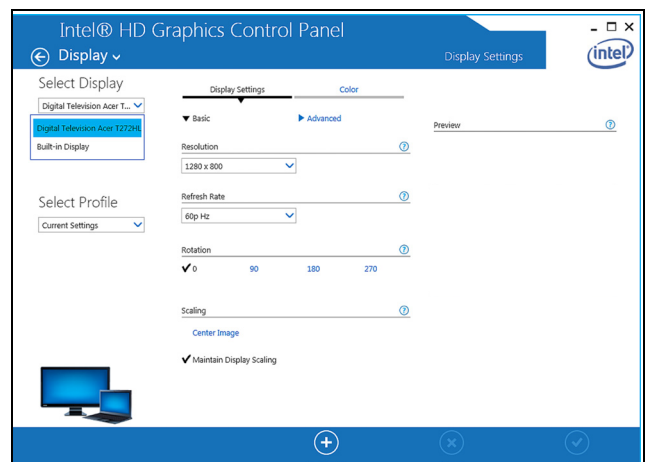


Figure-14

3. Select **Digital Television** from the Select Display menu (Figure 15).

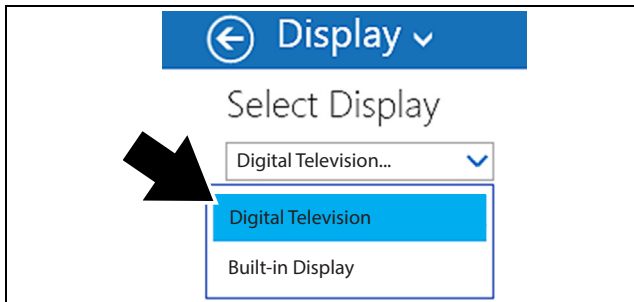


Figure-15

4. Select **1280 x 800** from the Resolution menu (Figure 16).



Figure-16

5. Select **60p Hz** from the Refresh Rate menu (Figure 16).
6. Select **Maintain Display Scaling** (Figure 16).
7. Select **Built in Display** from the Select Display menu (Figure 17).

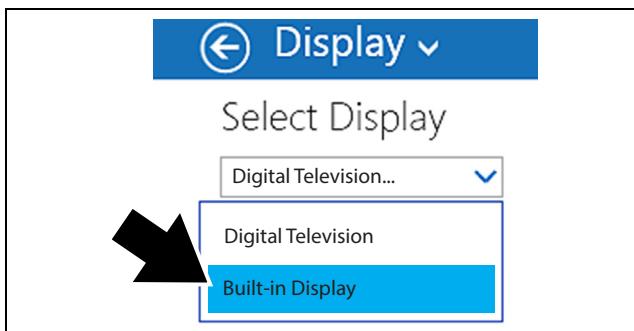


Figure-17

8. Select **1280 x 800** from the Resolution menu (Figure 18).
9. Select **60p Hz** from the Refresh Rate menu (Figure 18).
10. Select **Maintain Display Scaling** (Figure 18).

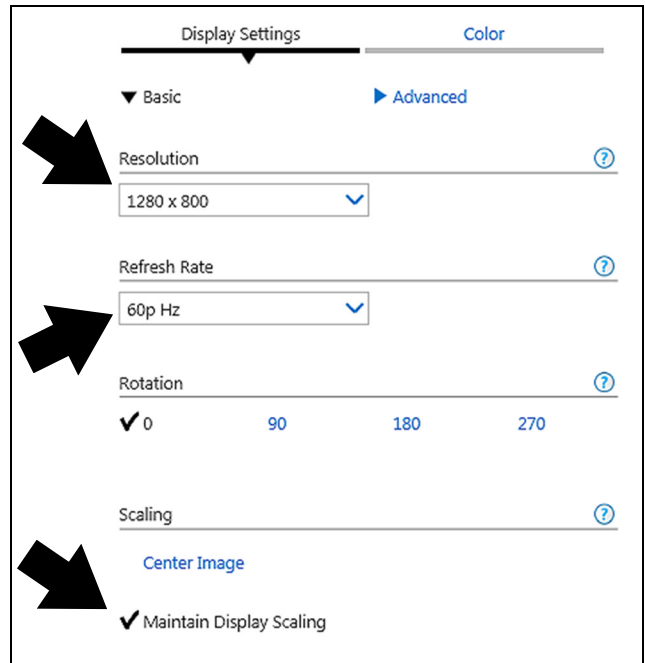


Figure-18

11. Select **Apply** from the lower toolbar (Figure 19).

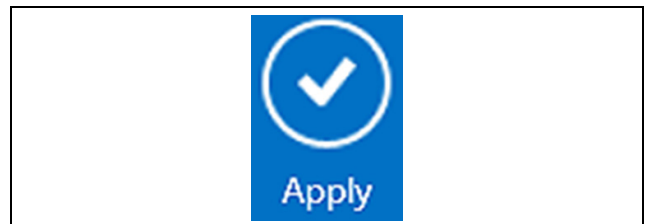


Figure-19

12. Select **“Yes”**, to keep the settings (Figure 20).

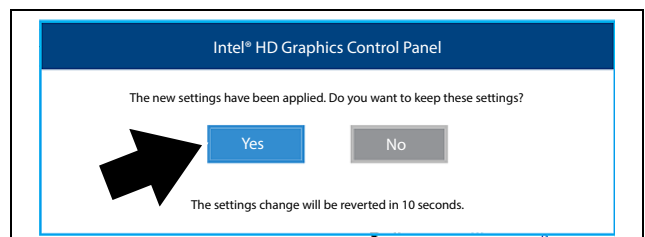


Figure-20

13. Close the Display Settings window.

