



# P1000™

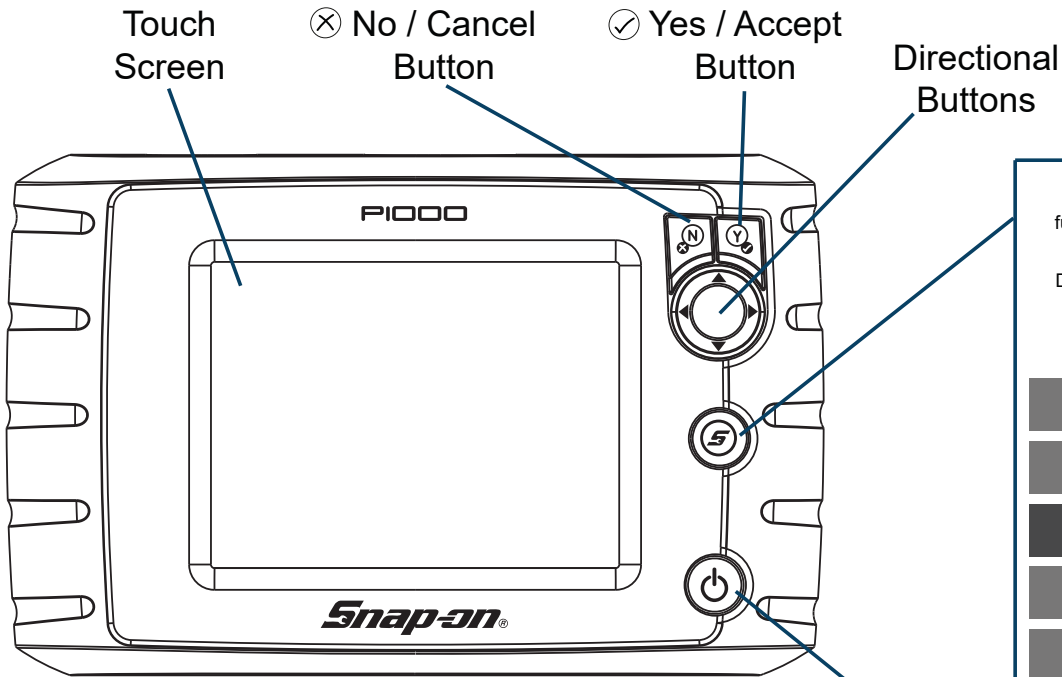
GETTING STARTED PACK




[diagnostics.snapon.com/p1000](http://diagnostics.snapon.com/p1000)



# Features and Button



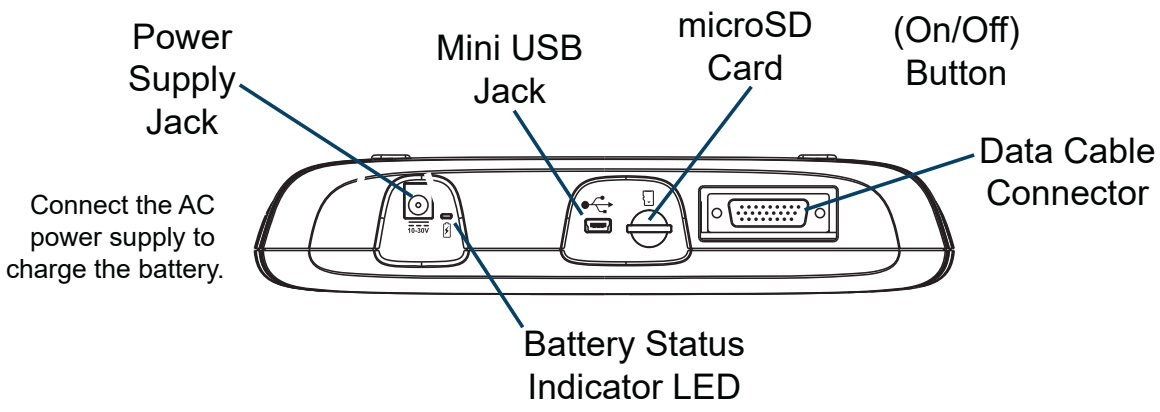
## Shortcut Button

The  button can be set to automatically perform routine functions, like capturing a screenshot, or saving a data file movie.

Default setting = **Save Screen**

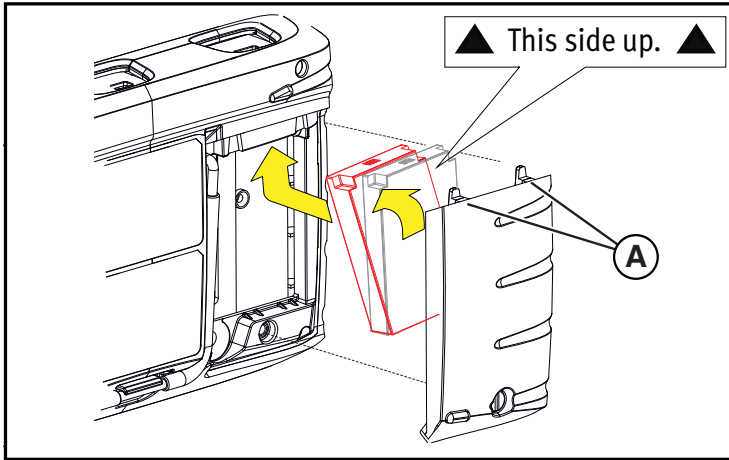
To change, navigate to **Tools > Configure Shortcut Key**

- Brightness
- Save Screen
- Save Movie
- Show Shortcut Menu
- Toggle Record/Pause



Connect the AC power supply to charge the battery.

# Getting Started




1. Loosen the battery cover screw and remove the battery cover.
2. Position the battery pack (as shown) with the arrows facing up. Tilt the top of the battery in to align the tabs, then down to install.
3. Install the battery pack cover, aligning the tabs (A). Then tighten the screw.

**Note** - Do not overtighten the screw.



4. Connect the AC power supply, to charge the battery.



5. Press the **Power**  button.
6. Select a **Function** (e.g. **Scanner**) from the Home screen.
7. Select **Motorcycle** at the screen prompt.



8. Select an **OEM Make** (e.g. **Ducati**) and then follow the screen prompts to identify the motorcycle, or select **Demonstration** to explore and become familiar with Scanner functions.

**Note** - To learn about automotive features and operations, download the Ethos Edge user manual from: [diagnostics.snapon.com/usermanuals](https://diagnostics.snapon.com/usermanuals)



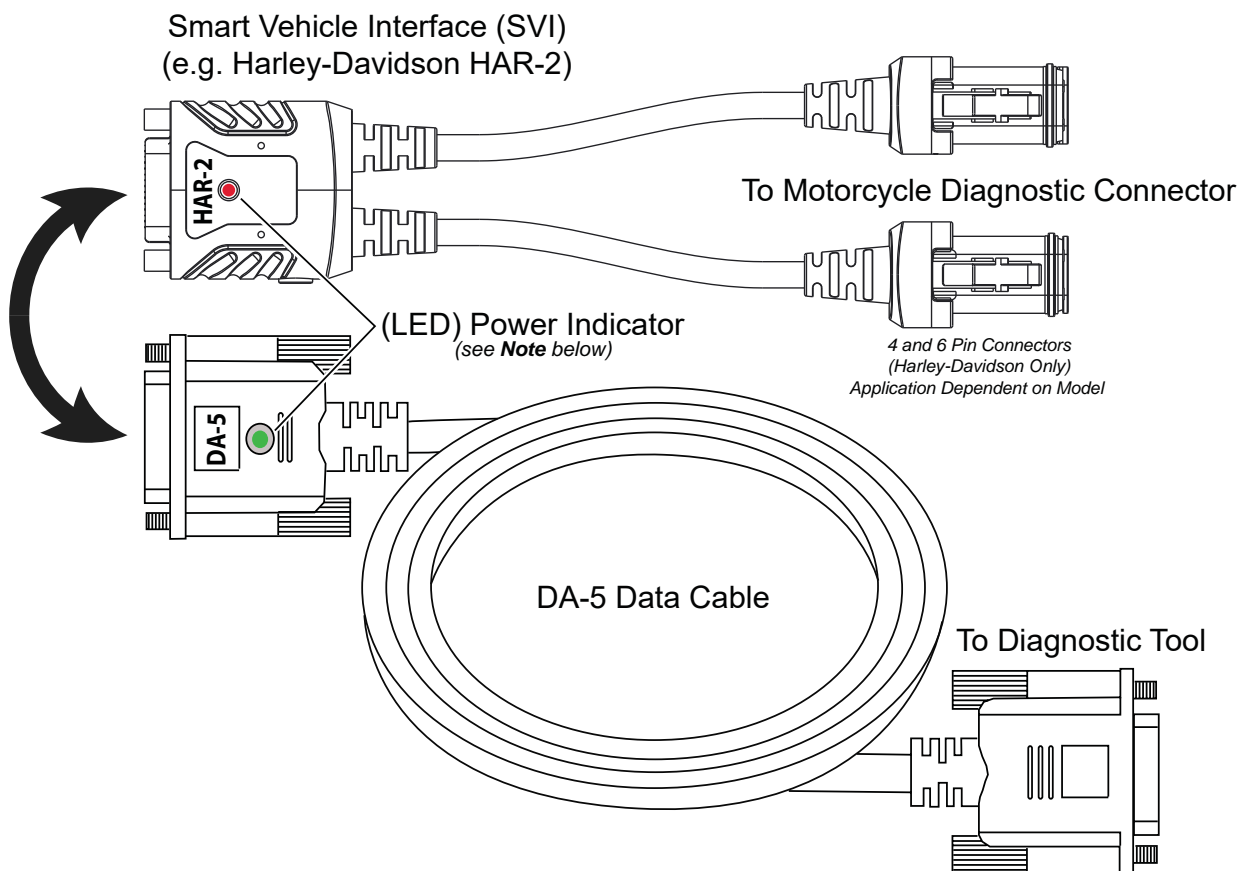
# Scanner

Retrieve and clear diagnostic trouble codes (DTCs), view parameter (PID) data, perform functional component tests and more!

## Basic Scanner Operation

1. Select **Scanner** from the Home screen, then select **Motorcycle**.
2. Follow the prompts to identify the motorcycle (e.g. make, year, model), then select **OK** to confirm.
3. Follow the onscreen instructions to connect the Smart Vehicle Interface (SVI) to the motorcycle diagnostic connector.
4. Connect the DA-5 data cable to the SVI and diagnostic tool (see below).
5. Turn the ignition on and move the “run” switch to on, or start the engine.
6. Ensure the LEDs on the SVI and DA-5 cables are on solid when establishing communication between the motorcycle and diagnostic tool (see **Note** below).
7. Follow the prompts to select a **System** (e.g. Engine, ABS, Radio).
8. Select a **Function/Test** (e.g. Codes Menu, Code Scan, Data Display, Functional Tests).

## Typical Cable Connection



**Note** - The SVI requires 12VDC power to communicate. Power is normally supplied through the motorcycle diagnostic connector, however the supplied 12VDC power accessory cable (*not shown*) can be used when power is needed. When the SVI LED is on solid (any color), the SVI is being powered. If the SVI LED is blinking, this indicates a problem with the SVI.

## Scanner Demonstration Mode

Interact with and explore Scanner functions without connecting to a motorcycle!

1. Select **Scanner** from the Home screen.
2. Select **Demonstration** from the vehicle Make menu.  
**IMPORTANT:** Do not connect the diagnostic tool to a motorcycle while in Demonstration Mode.
3. The simulated vehicle identification process starts. Follow the prompts to enter the motorcycle identification information and then select **OK** to confirm. The demo motorcycle is a 2017-H, CVO Limited (FLHTKSE)-TE 114 cu in. (Twin Cooled Milwaukee Eight)-F.
4. A warning message displays “*Demo mode: Do not connect to vehicle.*”. Select **Continue**.
5. Select a **System** (e.g. Engine, ABS, Body Control Module). The Systems menu shows all of the systems supported by the motorcycle for testing.
6. Select a **Function/Test**. Depending on which system is selected, different choices are available. **Examples:** **Codes Menu** - view trouble codes, **Codes Scan** - scan all systems for trouble codes, **Data Display** - view engine parameters (PIDs), **Functional Tests** - perform bi-directional tests on components.



### Previous Vehicles and Data

Save setup time when re-testing a motorcycle, and review your saved files.

#### Menu Options:

- **Vehicle History** - reactivate one the last twenty-five motorcycles tested.
- **View Saved Data** - view all saved data files, including screen images.
- **Delete Saved Data** - permanently erase saved files from memory.



### OBD-II / EOBD

Quickly perform an automotive diagnostics OBD-II Health Check and access global OBD-II/EOBD codes, tests and data, without having to identify the vehicle.



### Tools

Easily change settings (e.g. display brightness and units of measurement) to your preference, configure the Shortcut button, and transfer saved data files and screenshots to your PC.

# Print Data Files, Download Software Updates and more using **ShopStream** **CONNECT™**

ShopStream Connect (SSC) is a companion PC application available at no cost that gives you the ability to connect your diagnostic tool to your PC.

1. Get started by downloading and installing the SSC application onto your PC.

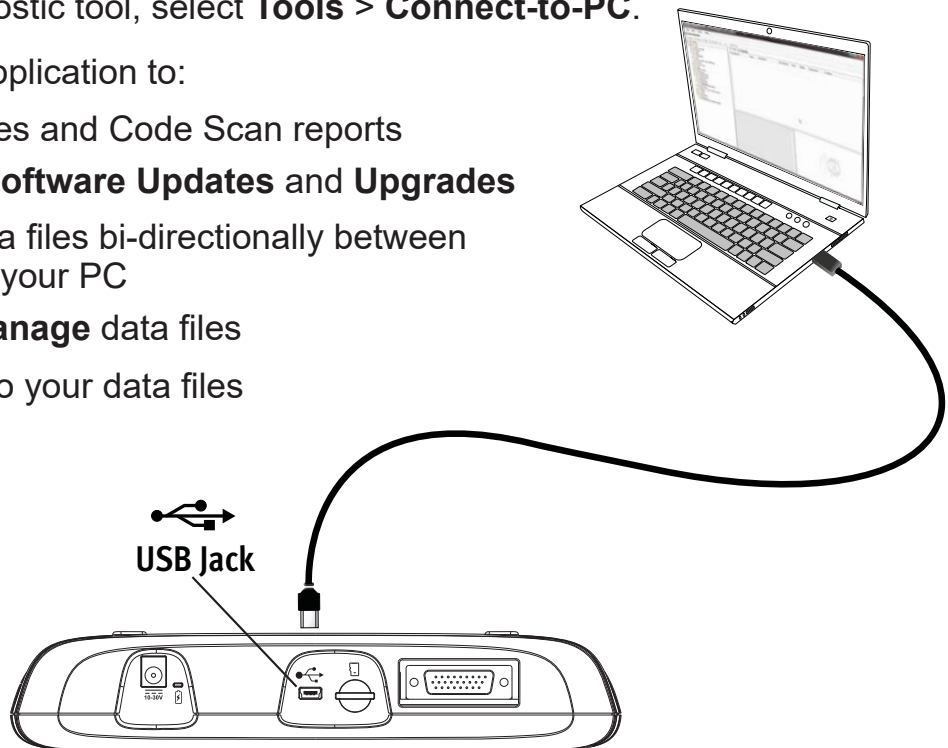
**Download SSC from:** [diagnostics.snapon.com/ssc](http://diagnostics.snapon.com/ssc)

2. Connect the USB cable to the diagnostic tool, and your PC.

3. From the diagnostic tool, select **Tools > Connect-to-PC**.

4. Use the SSC application to:

- **Print** data files and Code Scan reports
- **Download Software Updates and Upgrades**
- **Transfer** data files bi-directionally between the tool and your PC
- **Save and Manage** data files
- **Add Notes** to your data files



## Kit Contents

The following are included with your P1000 Scanner kit:

- P1000 Diagnostic Tool
- Motorcycle Data Cable (DA-5)
- Smart Vehicle Interface (SVI) adapters
- Automotive Data Cable (DA-4)
- Mini USB Cable
- SVI DC Power Cable
- AC Power Supply
- Soft Carrying Case

The SVI adapters included in your kit, vary depending on the kit type (see below).

### Motorcycle Diagnostic Tool Kits

- **Complete** - Includes Domestic, European and Asian SVI's (shown below)
- **Domestic** - Includes SVI's for Harley Davidson®, Indian® and Victory®
- **European** - Includes SVI's for BMW® and Ducati®
- **Asian** - Includes SVI's for Yamaha®, Honda®, Kawasaki® and Suzuki®

SVI's are also available separately.

## Customer Support

Phone: (800) 424-7226

Email: [diagnostics\\_support@snapon.com](mailto:diagnostics_support@snapon.com)

Website: [diagnostics.snapon.com/faq](http://diagnostics.snapon.com/faq)

## Safety Information

Before using this diagnostic tool, read and understand the *Important Safety Information* document provided within this kit. The *Important Safety Information* document is also available at: [diagnostics.snapon.com/usermanuals](http://diagnostics.snapon.com/usermanuals)



## User Manual

Download the user manual from: [diagnostics.snapon.com/usermanuals](http://diagnostics.snapon.com/usermanuals)

## Warranty Activation and Extension

To activate your warranty, and ensure you have access to the latest software upgrades, register your diagnostic tool today.

**U.S. Customers:** [registration.snapon.com/products/us](http://registration.snapon.com/products/us)

**Canadian Customers:** [registration.snapon.com/products/ca](http://registration.snapon.com/products/ca)

Extended warranty protection is available for an additional 12, 24 or 36 months. Contact your local Snap-on representative for information.

## Software Subscription Program

Snap-on is continually enhancing our diagnostic software to provide our customers with the latest information available, not only for new vehicles but for older vehicles as well. When new coverage and features become available, we offer a new software release. To ensure you have the latest code, data, and testing coverage for thousands of vehicle systems, Snap-on offers upgrade options to meet your needs. To find out more, contact your Snap-on sales representative, or visit: [diagnostics.snapon.com/theprogram](http://diagnostics.snapon.com/theprogram)



# Important Information

Before using this diagnostic tool, read and understand:

- The *Important Safety Information* - included in this kit
- The *P1000 User Manual* - available online at:  
[diagnostics.snapon.com/usermanuals](http://diagnostics.snapon.com/usermanuals)

## Get the most from your new diagnostic tool.

The latest software upgrades are as close as your Snap-on Representative's van, or for more information visit: [diagnostics.snapon.com/p1000](http://diagnostics.snapon.com/p1000)

## *Training Solutions*<sup>®</sup>

To maximize your productivity, Snap-on Training Solutions offers in-depth, multi-level training at no charge, available 24/7 at: [diagnostics.snapon.com/trainingsolutions](http://diagnostics.snapon.com/trainingsolutions)

Snap-on is a trademark, registered in the United States and other countries, of Snap-on Incorporated. All other marks are trademarks or registered trademarks of their respective holders. ©2019 Snap-on Incorporated. All pictures and illustrations shown are for reference purposes only. All information including specifications herein are subject to change without notice. ZEESC334A1 Rev. E

